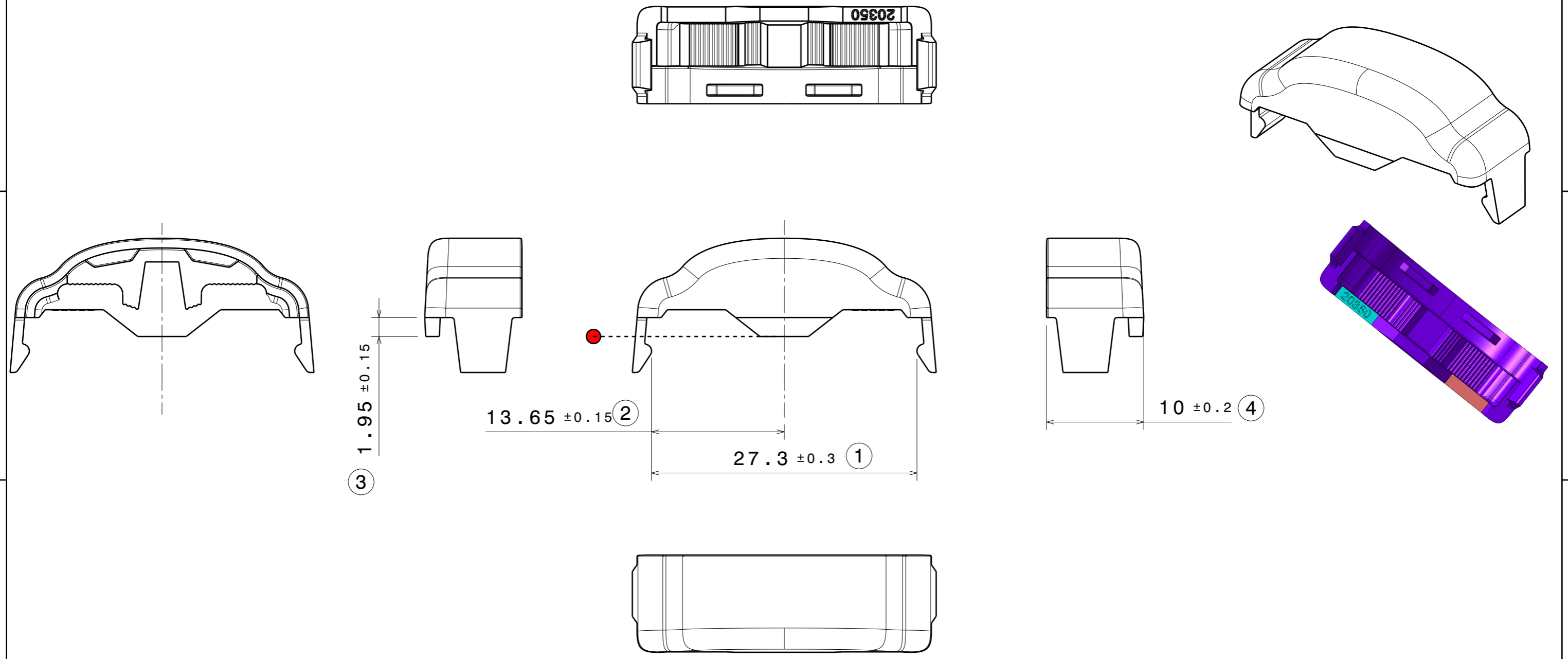


REV	DATE
001	24.10.2025



PART	TYPE	MATERIAL	COLOR / COATING
L20350_LINA-UP-END-M_004_MechanicalModel_001	LENS	PMMA	CLEAR

<b>MECHANICAL DRAWING</b>	
PRODUCT	<b>LINA</b>
Plastic moulding general tolerances according to DIN 16901-130 and applies if not otherwise shown in the drawing. Silicone moulding general tolerances according to ISO 3302-1 Class M3 and applies if not otherwise shown in the drawing.	<b>FIRST ANGLE PROJECTION:</b> 
SCALE 5:1	WEIGHT 1,2g

**LEDiL**

This drawing is the property of LEDiL Oy. It may not be copied or otherwise distributed without prior written permission from LEDiL Oy.

A3 SHEET 1/1

**Notes**

	PCB or heatsink level.
	LED location
	Ensure LED fitting from a product specific 3D model available from <a href="http://www.ledil.com">www.ledil.com</a>
	For more details about installation please see LEDiL Installation Guide on <a href="http://www.ledil.com">www.ledil.com</a>